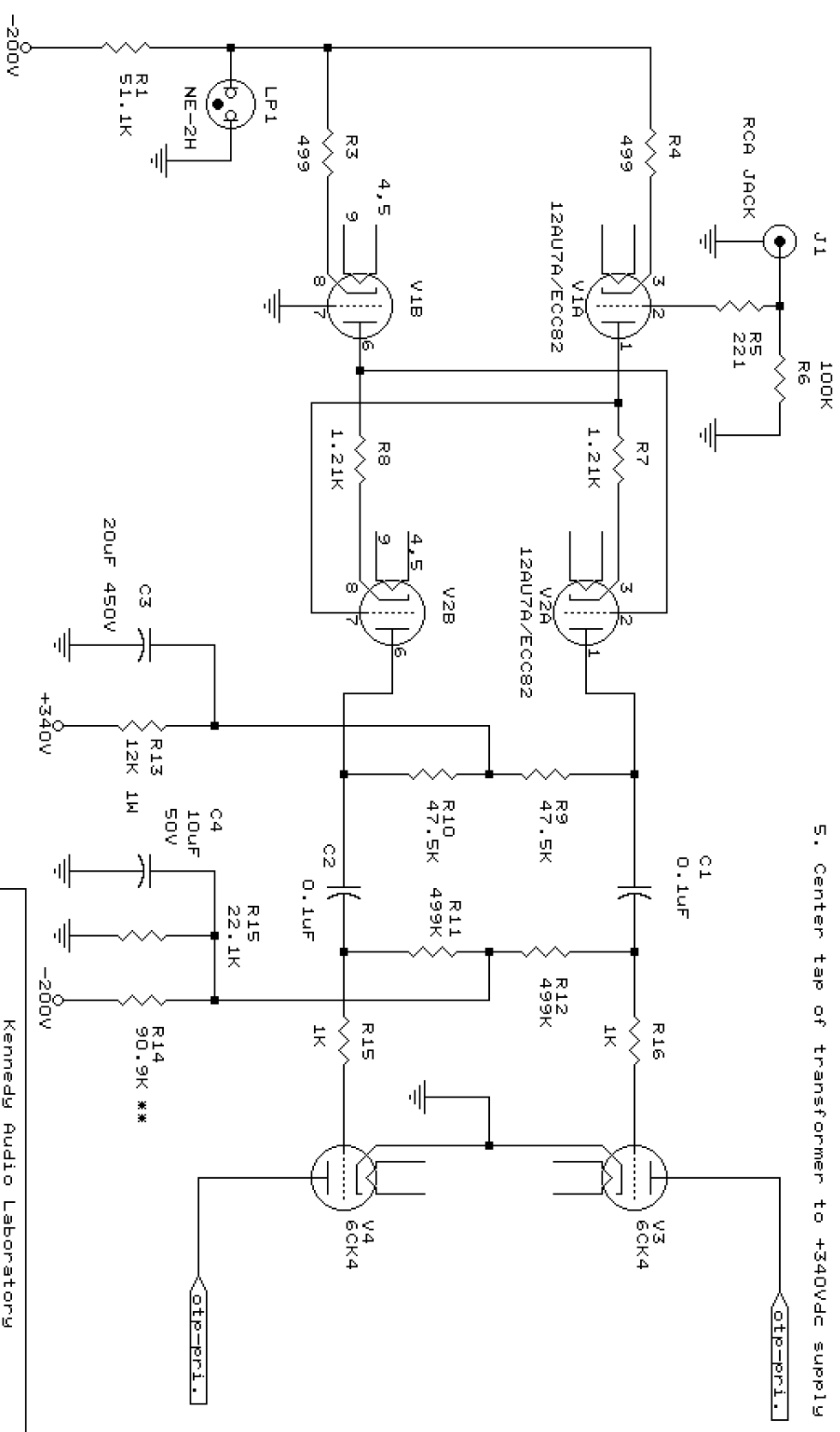


- Notes:
1. All resistors 1/2W 1% metal film unless noted.
 2. All film caps 600V unless noted.
 3. otp-pri refers to transformer plate leads.
 4. ** Trim this resistor for -40 to -42Vdc.
 5. Center tap of transformer to +340Vdc supply

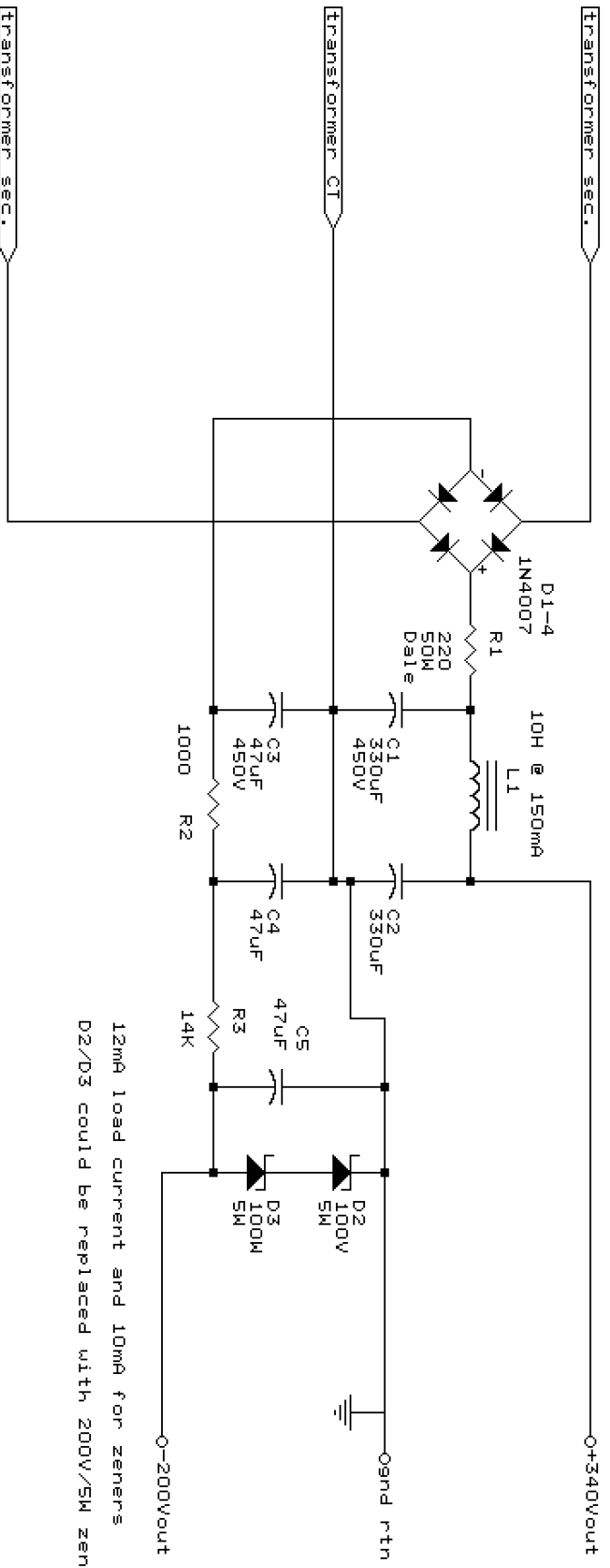


Warning: Information provided herein is the sole property of Kennedy Audio Laboratory and is provided for the use of the original customer only, duplication or electronic transmission by any means are expressly forbidden.

Kennedy Audio Laboratory

Title	
0 Feedback Triode Power Amplifier	
Size	Document Number
A	
Date:	February 23, 1996 Sheet 1 of 2
REV	0
	2

Use separate 18V transformer for driver circuitry regulated filament supply
 Use 2A bridge minimum, 100000uF 35MV electrolytic for raw d.c.
 7812 with series diode in common lead will suffice for regulator.



12mA load current and 10mA for zeners
 D2/D3 could be replaced with 200V/5W zener

NOTES:
 All caps 450V or better

Urgent: Provide good ventilation for SCA-35 transformer
 Use Dynaco SCA 35 Power Transformer
 Too much hum, increase capacitance.

Kennedy Audio Labs 104 Taylor Rd Stow, Ma.01775	
Title	60K4 Basic Power Supply
Size	Document Number
A	xxx
Date:	March 12, 1996 Sheet 2 of 2
REV	01