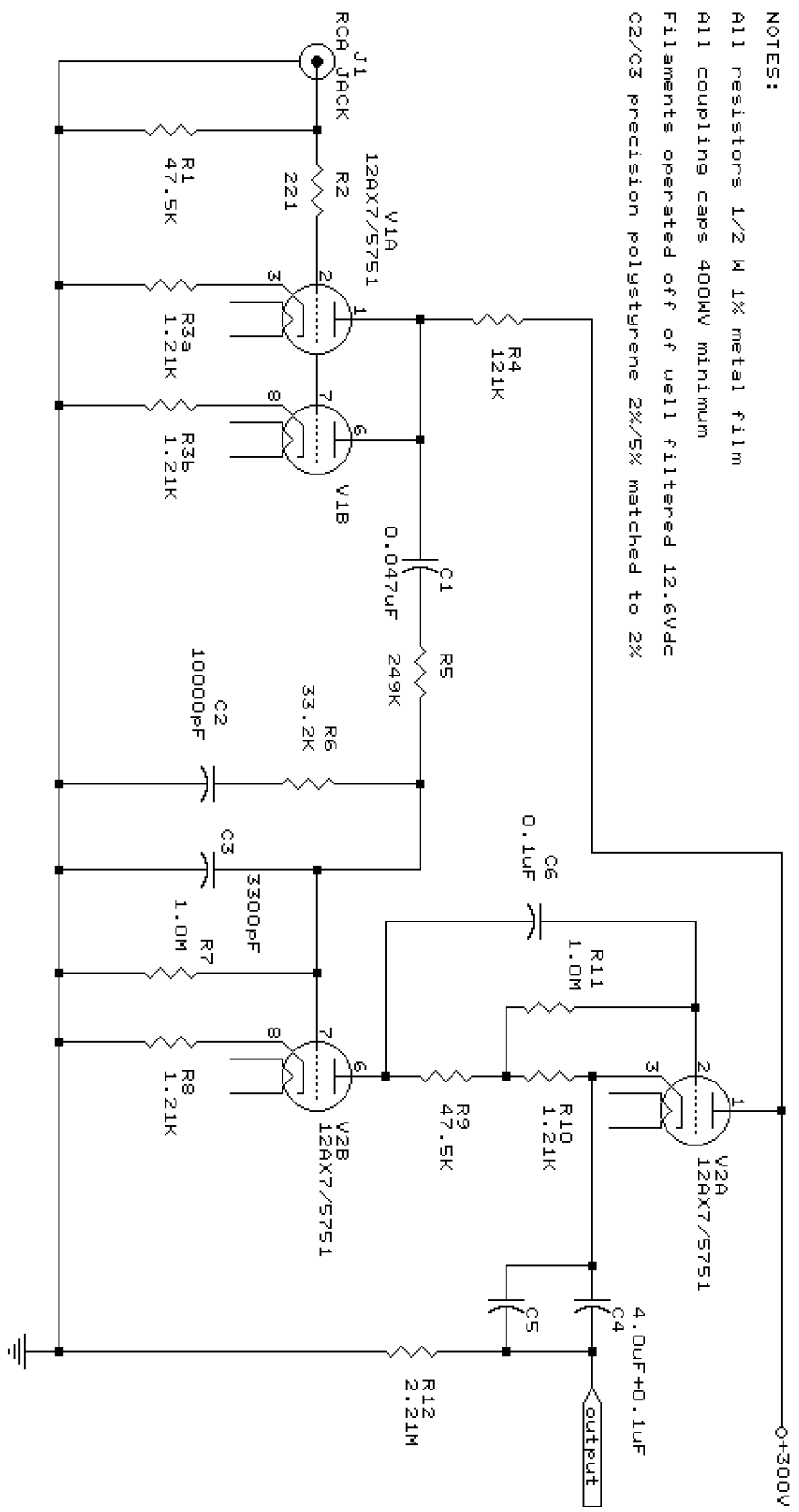


NOTES:  
 All resistors 1/2 W 1% metal film  
 All coupling caps 400MV minimum  
 Filaments operated off of well filtered 12.6Vdc  
 C2/C3 precision polystyrene 2%/5% matched to 2%



The information provided herein remains the sole property of Kevin R. Kennedy (KAL: Kennedy Audio Labs), and may not be used for commercial purposes without the express permission of KAL. This material copyright 1995. OTS/Positive Feedback Magazine

|   |                   |
|---|-------------------|
| Kennedy Tube Audio AKA Kennedy Audio Labs |                   |
| 104 Taylor Rd                             |                   |
| Stow, Ma. 01775                           |                   |
| Title                                     |                   |
| Deluxe 2 Tube Phono Pre-Amplifier         |                   |
| Size                                      | Document Number   |
| A   |                   |
| Date:                                     | February 17, 1998 |
| Sheet                                     | 1 of 1            |
| REV                                       | 0                 |