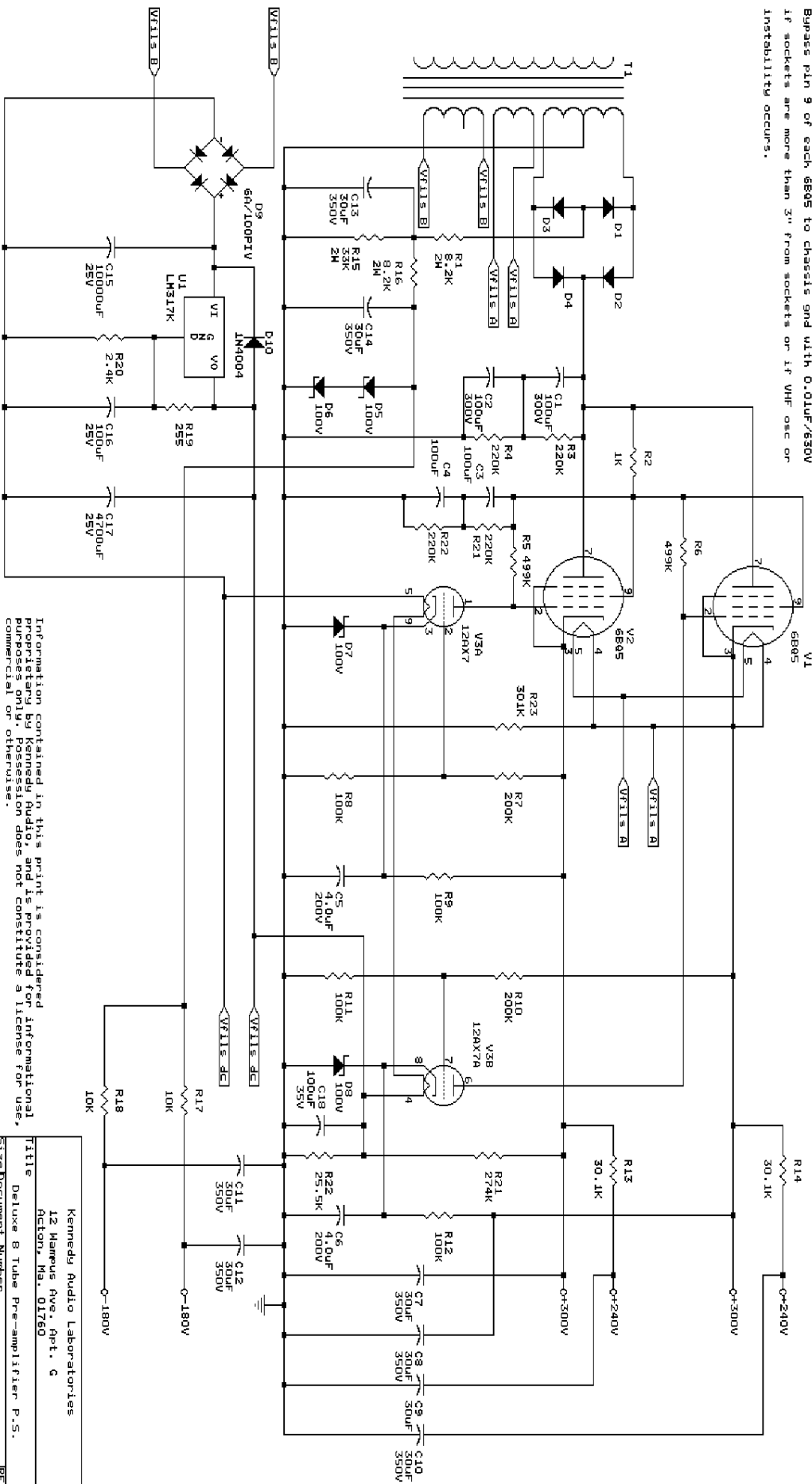


NOTES:
 For phono pre-amplifier circuits use only 300Vdc outputs
 Negative bias supply may be deleted for phono use.
 T1 Secondary should be minimum 600VCT at 30ma
 Bypass pin 9 of each 6B05 to chassis and with 0.01uF/630V
 If sockets are more than 3" from sockets or if VHF osc or
 instability occurs.



Information contained in this print is considered
 proprietary by Kennedy Radio, and is provided for informational
 purposes only. Kennedy Radio does not constitute a license for use,
 commercial or otherwise.